

TCM

**ELECTRIC THREE WHEEL
FORKLIFT TRUCKS**

FTB-VII SERIES



THE TCM FTB-VII SERIES

The TCM FTB-VII Series electric three-wheel forklift trucks come with remarkable improvements.

FTB16-7 Max. Capacity: 1,600kg (3,200lb) / Load Center: 500mm(24 in.)

FTB18-7 Max. Capacity: 1,750kg (3,500lb) / Load Center: 500mm(24 in.)



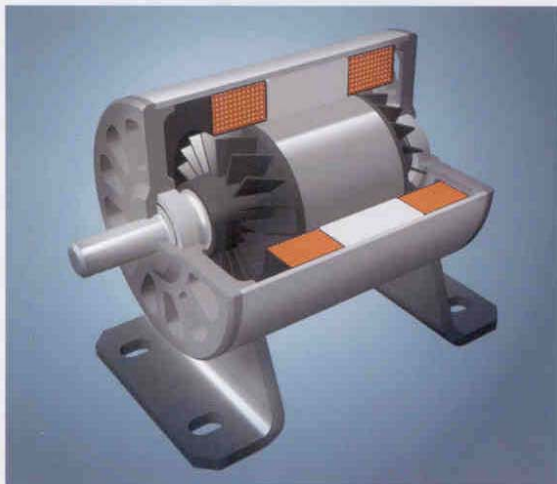
- UPGRADED BASIC PERFORMANCE
- ERGONOMICS
- NUMEROUS SAFETY DEVICES
- SIMPLIFIED MAINTENANCE



UPGRADED BASIC PERFORMANCE

AC Motors

The AC motor has various advantages - compact construction, high performance, regenerative braking, and simple maintenance.



Ample battery power:
8.0-hour continuous operation :
JIVAS F30:2000 DIN 48V 625AH/5H

Model: FTB16-7(Power Mode), Discharge level 75%, Operating ratio 55%

Top-Class Travel Speeds and Loading Speeds

Travel Speed:	without load	16.5km/h (10.3mph)
	with load	15.0km/h (9.3mph)

Lifting Speed:	without load	610 mm/s (120 fpm)
	with load	410 mm/s (80.7fpm)

Model: FTB16-7 with 48v battery(Super Mode)

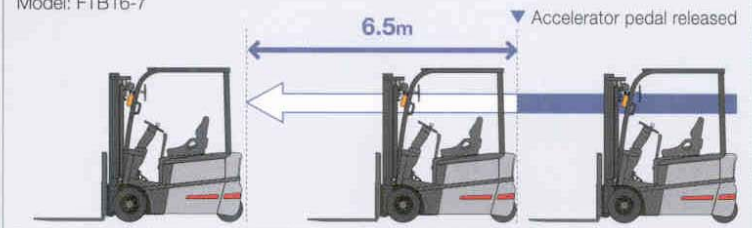
Travel speed and loading speed can be adjusted to job needs. This status appears on the monitor display.

Regenerative Functions

1. Braking without using foot pedal
2. Recharging the battery

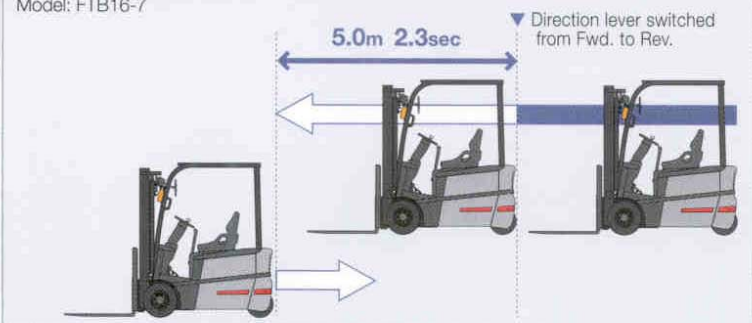
When Releasing Accelerator Pedal:

Model: FTB16-7

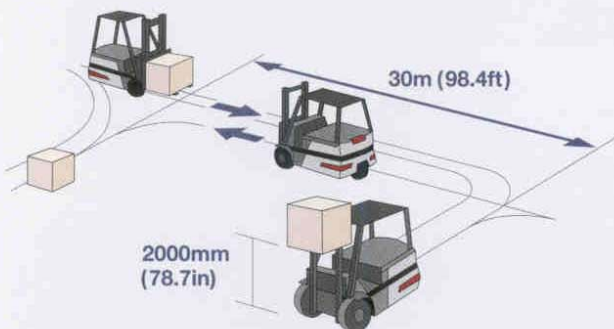


When Shifting the Travel Lever from Forward to Reverse:

Model: FTB16-7



In addition to releasing accelerator pedal and shifting the travel lever from forward to reverse, the regenerative braking can be applied with the foot pedal when descending slope or stopping the machine.



UPGRADED BASIC PERFORMANCE



Three Work Modes

Three work modes can be selected to suit job needs. Also, three travel/lifting modes –Economy, Power and Super– are available. Travel and lifting speeds can be programmed to each mode.

SPEED COMPARISONS

Travel Speed (Unloaded)

Model: FTB16-7

Economy Mode



15.5 km/h
(9.6 mph)

Working hours
per battery
charge

8.1 hours

Power Mode



16.0 km/h
(9.9 mph)

8.0 hours

Super Mode



16.5 km/h
(10.3 mph)

7.0 hours

Lifting Speed (loaded)

Model: FTB16-7

Economy Mode



570 mm/s
(112.2 fpm)

Working hours
per battery
charge

8.1 hours

Power Mode



590 mm/s
(116.1 fpm)

8.0 hours

Super Mode



610 mm/s
(120.0 fpm)

7.0 hours

Wet Disk Brake

The wet disk brake allows stable braking regardless of ground conditions, such as soft ground and swamp.



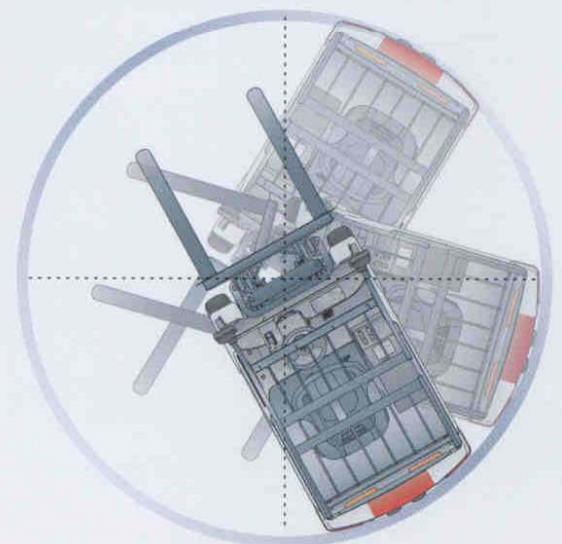
Outside Turning Radius and Minimum Intersecting Aisle



Outside Turning Radius
1,540 mm/s (60.6 in)

Minimum Intersecting Aisle
3,226 mm/s (127.0 in)

Pallet size: 1000mm(L)x1200(w)mm (Clearance=200mm)
Model: FTB16-7



ERGONOMICS



Easy Access to Operator Compartment

Operator comfort is enhanced with numerous features: Lower floor with wider step, rounded bonnet corners, OHG front pillars for easy access, and ample foot space.



Functionally Arranged Control Levers

Control levers are arranged ergonomically for comfortable operation.



Integrated light switch & turn signal lever

Headlight, rear combination lights, and turn signal switch (with auto return mechanism) are provided for safety operation.



Comfortable Suspension Seat

The suspension seat can hold the operator, and absorb vibration and shocks. Operator weight adjusting mechanism, reclining and sliding mechanisms, and seatback utility pocket are provided.



Resin Instrument Panel



The classy resin instrument panel is employed for high durability and water resistance.

Small-Diameter Steering Wheel

Steering wheel diameter is small 300 mm for sharp, easy steering. This semicircular design gives easy access to the operator seat.



Fingertip-Control Levers (Optional)

Fingertip control levers are optionally available for higher productivity. Arm rest is provided for long, continuous operation.



Full-turn steering:
4.2 rotations
of steering wheel
(lock to lock)

NUMEROUS SAFETY DEVICES

Increased Forward Visibility

The meter panel is located at right of the dashboard to increase forward visibility. The fork tops are always in operator's vision for safety operation.



Auto Knob Return System (Optional)

The knob is automatically returned to its original position for easy steering.



Emergency Battery Shut-off-Switch

This switch is located at right of the operator seat for emergency stopping.



Travel Speed Preset Switch

Appropriate travel speed can be preset to suite job requirements. Contact TCM distributor for adjustments.



Attractive Counterweight Protectors

Attractive protectors are provided on both sides of the counterweight as bumpers.

Anti-Roll Back

With the powerful AC motor, starting on uphill can be made with ease.

Tilt Cylinder Lock

With key switch off, the mast cannot tilt forward when the control lever is shifted.

Neutral Safety Mechanism

Unless the shift lever is set to neutral, the forklift is not ready for operation even when the key switch is turned on.

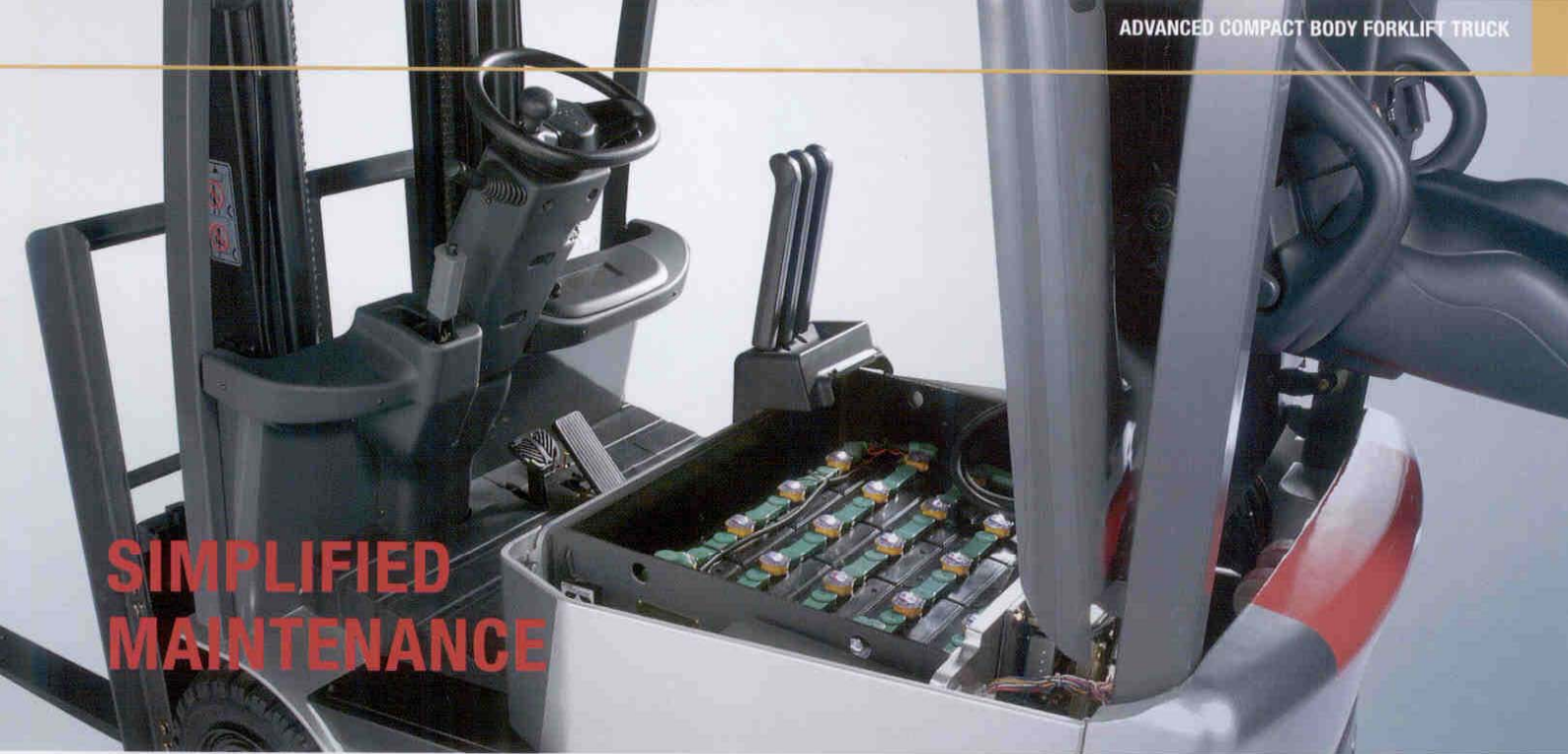
Lift Lock (Optional)

With the key switch off, the forks cannot lower even when the control lever is shifted

Deadman Seat Switch (Optional)

The deadman seat switch automatically detects when the operator leaves from the seat, and stops travel, fork and mast for safety.





SIMPLIFIED MAINTENANCE

Easy-to-Maintain Controller

Easy access to the controllers by opening the bonnet. In addition, the left and right side covers can be detached for easy maintenance.



Maintenance-Free Wet Disk Brake

This wet disk brake provides stable braking ability, and extends the life time greatly, reducing maintenance costs.



Self-Diagnostic System

With more than 50 failure codes displayed on the monitor panel, operating status and failure causes can be found easily.

Multiple screen display area



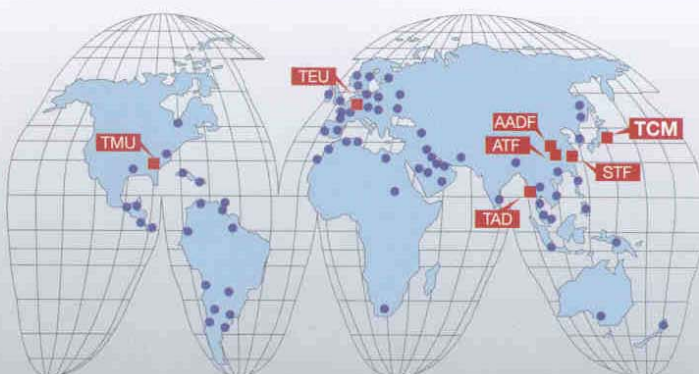
Over-Discharge Prevention System

The liquid crystal display (LCD) blinks to alert the operator to charging when the battery is discharged at 80%. At the time, travel and lifting speeds are also reduced for longer battery life.

Auto Power Off System (Optional)

This system automatically shuts off the main power to save the battery power when the machine is not operated for 15 minutes even with the key switch on.

The TCM VII Series is supported through the TCM global service network.





Optional color

TCM retains the right to change these products and specifications without incurring any obligation relating to such changes. These products and specifications are subject to change without notice. Photos and illustrations may or may not include optional equipment and accessories.



ISO 9001 Certification (TCM Shiga plant)



ISO 14001 Certification (TCM Shiga plant)



Manufactured by

TCM

TCM CORPORATION

1-15-5 Nishi-Shimbashi, Minato-ku,
Tokyo 105-0003 Japan

TEL: +81 3 3591 8176

FAX: +81 3 3591 8152

www.tcmglobal.net

Distributed by