

■ Wide View Mast VM

Mast Model	Rated Capacity								Max. Fork Height	Overall Mast Height					Tilting Angle F/B	Service Weight			
	FG35T9		FG40T9		FG45T9		FG50T9			Lowered			Raised with Backrest			FG35T9	FG40T9	FG45T9	FG50T9
	Load Center	Load Center	Load Center	Load Center	Load Center	Load Center	Load Center	Load Center		FG35T9 FG40T9	FG45T9	FG50T9	FG35T9 FG40T9 FG45T9	FG50T9					
	500mm	600mm	500mm	600mm	500mm	600mm	500mm	600mm		mm	mm	mm	mm	mm		deg	kg	kg	kg
VM250	4000	3500	4500	4000	5000	4500	5000	5000	2500	1980	1985	2110	3765	3920	6/10	6000	6350	6890	7190
VM300	4000	3500	4500	4000	5000	4500	5000	5000	3000	2230	2235	2360	4265	4420	6/12	6060	6410	6960	7260
VM330	4000	3500	4500	4000	5000	4500	5000	5000	3300	2380	2385	2510	4565	4720	6/12	6090	6440	7000	7300
VM350	4000	3500	4500	4000	5000	4500	5000	5000	3500	2480	2485	2610	4765	4920	6/12	6110	6460	7020	7320
VM375	4000	3500	4500	4000	5000	4500	5000	5000	3750	2605	2610	2735	5015	5170	6/6 *6/12	6180	6530	7060	7360
VM400	4000	3500	4500	4000	5000	4500	5000	5000	4000	2780	2785	2910	5265	5420	6/6 *6/12	6230	6580	7160	7460
VM425	4000	3500	4500	4000	5000	4500	5000	5000	4250	2905	2910	3035	5515	5670	6/6 *6/12	6260	6610	7190	7490
VM450	4000	3500	4500	4000	5000	4500	5000	5000	4500	3030	3035	3160	5765	5920	6/6 *6/12	6280	6630	7210	7510
VM475	3500 *3700	3500	4000 *4500	4000	4800 *4500	4500	5000	5000	4750	3155	3160	3285	6015	6170	6/6	6340	6690	7250	7550
VM500	3500 *3700	3500	4000 *4300	4000	4500 *4800	4500	5000	5000	5000	3280	3285	3410	6265	6420	6/6	6360	6710	7280	7580
VM550	2800 *3300	2800 *3300	3200 *3900	3200 *3900	4000 *4400	4000 *4400	4000 *4800	4000	5500	3580	3585	3710	6765	6920	3/6	6440	6790	7420	7720
VM600	2200 *3200	2200 *3200	2500 *3700	2500 *3700	3500 *4000	3500 *4000	3350 *4000	3350 *4000	6000	3830	3835	3960	7265	7420	3/6	6490	6840	7480	7780

■ Wide View Full Free 2-Stage Mast VFM

Mast Model	Rated Capacity								Max. Fork Height	Overall Mast Height					Tilting Angle F/B	Service Weight						
	FG35T9		FG40T9		FG45T9		FG50T9			Lowered			(1) Raised with Backrest			(2) Free lift with Backrest		FG35T9	FG40T9	FG45T9	FG50T9	
	Load Center	Load Center	Load Center	Load Center	Load Center	Load Center	Load Center	Load Center		FG35T9 FG40T9	FG45T9	FG50T9	FG35T9 FG40T9 FG45T9	FG50T9		FG35T9	FG40T9					FG45T9
	500mm	600mm	500mm	600mm	500mm	600mm	500mm	600mm		mm	mm	mm	mm	mm		mm	mm	mm	mm	mm	mm	
VFM250	4000	3500	4500	4000	5000	4500	5000	5000	2500	1985	1985	2110	3765	3920	765	765	740	6/10	6200	6550	6970	7280
VFM300	4000	3500	4500	4000	5000	4500	5000	5000	3000	2195	2235	2360	4265	4420	960	1015	990	6/12	6250	6600	7040	7350
VFM330	4000	3500	4500	4000	5000	4500	5000	5000	3300	2395	2385	2510	4565	4720	1160	1165	1140	6/12	6310	6660	7080	7390
VFM350	4000	3500	4500	4000	5000	4500	5000	5000	3500	2495	2485	2610	4765	4920	1260	1265	1240	6/12	6330	6680	7110	7420
VFM375	4000	3500	4500	4000	5000	4500	5000	5000	3750	2610	2610	2735	5015	5015	1390	1390	1365	6/6 *6/12	6370	6720	7140	7450
VFM400	4000	3500	4500	4000	5000	4500	5000	5000	4000	2795	2785	2910	5265	5420	1560	1565	1540	6/6 *6/12	6490	6840	7270	7550
VFM425	4000	3500	4500	4000	5000	4500	5000	5000	4250	2910	2910	3035	5515	5670	1690	1690	1665	6/6 *6/12	6530	6880	7300	7580
VFM450	4000	3500	4500	4000	5000	4500	5000	5000	4500	3045	3035	3160	5765	5920	1810	1815	1790	6/6 *6/12	6660	6910	7330	7620
VFM475	3500 *4000	3500	4000 *4500	4000	4800 *4500	4500	5000	5000	4750	3160	3160	3285	6015	6170	1940	1940	1915	6/6	6590	6940	7370	7650
VFM500	3500 *3700	3500	4000 *4300	4000	4500 *4800	4500	5000	5000	5000	3285	3285	3410	6265	6420	2065	2065	2040	6/6	6630	6980	7400	7690
VFM550	2800 *3300	2800 *3300	3200 *3900	3200 *3900	4000 *4400	4000 *4400	4000 *4800	4000	5500	3585	3585	3710	6765	6920	2365	2365	2340	3/6	6760	7110	7530	7820
VFM600	2200 *3200	2200 *3200	2500 *3700	2500 *3700	3500 *4000	3500 *4000	3350 *4000	3350 *4000	6000	3835	3835	3960	7265	7420	2615	2615	2590	3/6	6820	7170	7600	7890

NOTE : (1) For height without backrest : FG35T9-40T9-460mm / FG40T9-385mm / FG50T9-465mm (2) For free lift without backrest : FG35T9-40T9-460mm / FG45T9-385mm / FG50T9-465mm Weight for without backrest : FG35T9-40T9-45T9-30kg / FG50T9-55kg

■ Wide View Full Free 3-Stage Mast VFHM

Mast Model	Rated Capacity								Max. Fork Height	Overall Mast Height					Tilting Angle F/B	Service Weight					
	FG35T9		FG40T9		FG45T9		FG50T9			Lowered			(1) Raised with Backrest			(2) Free lift with Backrest		FG35T9	FG40T9	FG45T9	FG50T9
	Load Center	Load Center	Load Center	Load Center	Load Center	Load Center	Load Center	Load Center		FG35T9 FG40T9	FG45T9	FG50T9	FG35T9 FG40T9 FG45T9	FG50T9		FG35T9	FG40T9				
	500mm	600mm	500mm	600mm	500mm	600mm	500mm	600mm		mm	mm	mm	mm	mm		mm	mm	mm	mm	mm	mm
VFHM360	3900	3500	4400	4000	4900	4500	4800	3600	1900	1970	2050	4865	5020	675	750	680	6/6	6350	6700	7180	7500
VFHM400	3900	3500	4400	4000	4900	4500	4800	4000	2035	2105	2185	5265	5420	810	885	815	6/6	6400	6750	7230	7550
VFHM435	3800	3500	4300	4000	4700	4500	4800	4350	2150	2220	2300	5615	5770	925	1000	930	6/6	6440	6790	7270	7590
VFHM480	3500 *3700	3500	4000 *4200	4000	4600	4500	4800	4800	2300	2370	2450	6065	6220	1075	1150	1080	6/6	6490	6840	7320	7640
VFHM500	3400 *3600	3400	4000 *4100	4000	4500	4400	4700	5000	2400	2470	2550	6265	6420	1175	1250	1180	6/6	6520	6870	7350	7680
VFHM540	3100 *3400	3100	3300 *3900	3300	3400 *4300	3300	3500 *4600	5400	2525	2595	2675	6665	6820	1300	1375	1305	3/6	6570	6920	7400	7720
VFHM600	2200 *3200	2200 *3200	2400 *3700	2400 *3700	2500 *4200	2400 *3900	2500 *3900	6000	2750	2820	2900	7265	7420	1525	1600	1530	3/6	6710	7060	7540	7840
VFHM650	2800 *3200	2800 *3200	3200 *3700	3100 *3700	3400 *4200	3300 *3900	3600 *4200	6500	2970	3040	3120	7765	7920	1745	1820	1750	3/3	6780	7130	7620	7950
VFHM700	2500 *2400	2500 *2400	2800 *2700	2700 *3000	2900 *3000	3000	3000	7000	3135	3205	3285	8265	8420	1910	1985	1915	3/3	6830	7180	7680	8020

NOTE : (1) For height without backrest : FG35T9-40T9-475mm / FG45T9-395mm (2) For free lift without backrest : FG35T9-40T9-475mm / FG45T9-395mm Weight for without backrest : FG35T9-40T9-45T9-30kg / FG50T9-56kg

NOTE : Rated capacity with (*) : Shows capacity with Double tires.
 With Double tires service weight (+20kg)
 Lifting speed with VM/VFM mast : with VFM FG35T9-40T9 420m/s / FG45T9-50T9 400m/s with load,
 with VFHM FG35T9-40T9 470m/s / FG45T9-50T9 400m/s with load.
 Overall vehicle length with VFHM mast : FG35T9-40T9-45T9-40m / FG50T9-45m longer than of standard model with VM/VFM mast.

- TCM retains the right to change these products and specifications without incurring any obligation relating to such changes.
- These products and specifications are subject to change without notice. ● Photos and illustrations may or may not include optional equipment and accessories.
- Features and specifications may vary depending on markets.

Manufactured by

 TCM CORPORATION

Distributed by

1-15-5 Nishi-Shimbashi, Minato-ku,
 Tokyo 105-0003 Japan
 TEL:+81-3-3591-8176
 FAX:+81-3-3591-8152
 http://www.tcmglobal.net

CATALOGUE No. FS06-43K/E(Spec)
 Printed in Japan TA-0903030-00

RELIABLE.
 POWERFUL.
 ENVIRONMENT-FRIENDLY.



3.5-5t GASOLINE POWERED
 PNEUMATIC TIRE TRUCKS

FG35T9 | 3500kg/600mm FG40T9 | 4000kg/600mm FG45T9 | 4500kg/600mm FG50T9 | 5000kg/600mm

STANDARD SPECIFICATIONS

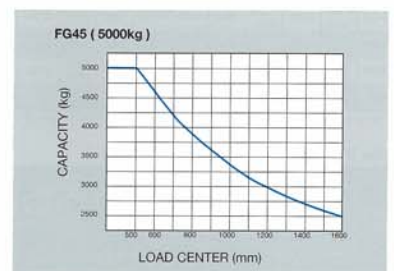
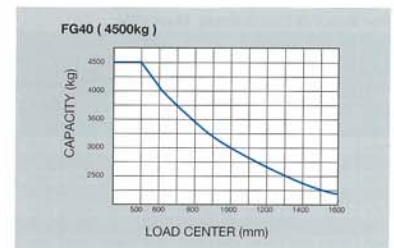
Characteristics		TCM				
		FG35T9				
1	Manufacturer	TCM				
2	Model	FG35T9				
3	Load Capacity	Load Center 500mm	kg	4000		
		Load Center 600mm	kg	3500		
5	Power Type	Gasoline				
6	Operator Position	Sit Down Rider Type				
7	Tire Type	Front / Rear				
8	Wheels (x=driven)	Front / Rear				
9	Maximum Fork Height	mm				
10	Free Lift	mm				
13	Fork Size	L x W x T	mm	1070 x 150 x 50		
		Fork Spread (Outside)	Max. / Min.	mm	1290 / 300	
14	Tilt Angle	Fwd / Bwd	deg	6 / 12		
15	Length to Fork Face	mm		3080		
16	Overall Width	mm		1480		
17	Mast Height Fork Lowered	mm		2230		
18	Mast Height Fork Raised	mm		4265		
19	Overhead Guard Height	mm		2250		
21	Turning Radius (Outside)	mm		2790		
22	Load Distance (Centerline of Front Axle to Front Face of Forks)	mm		560		
		Rear Overhang		mm	520	
23	Right Angle Stacking Aisle Width (1200mm x 1200mm pallet and clearance 200mm)	mm		4750		
25	Speeds	Travel Max.	No Load Fwd / Rvs	km/h	26.0 / 19.5	
		Lifting	Full Load		mm/s	500
			No Load		mm/s	540
			Full Load		mm/s	500
			No Load		mm/s	550
26	Lowering	Full / No Load		kN	31.4 / 17.6	
		Full Load		%	25	
29	Max. Gradeability*	No Load		%	20	
32	Total Weight	kg		6070		
33	Weight Distribution	Full Load	Load Center 600mm	Front	kg	8400
			Rear	kg	1170	
		No Load	Front	kg	2870	
			Rear	kg	3200	
35	Tires	Number	Front / Rear		2 / 2	
		Size	Front		3.00-15-18PR (I)	
37		Rear			7.00-12-12PR (I)	
38	Wheelbase	mm		2000		
39	Tread	Front	mm	1180		
		Rear	mm	1195		
	Backrest Height	mm		1220		
	Overhead Guard Clearance	mm		1020		
	Counterweight Height	mm		1320		
	Drawbar Pin Center Height	mm		320		
	Floor Height	mm		845		
40	Underclearance	Min Full Load	mm	155		
		Center of wheelbase	mm	185		
42	Brake	Service (Foot)	Hydraulic - Foot pedal			
		Parking	Mechanical - Hand lever			
45	Battery	Voltage / Capacity (5HR)	V/AH	12 / 64		
49		Make - Model	NISSAN / TB42			
50	Internal Combustion Engine	Rated Output / r.p.m.	kW/rpm	59.6 / 2250		
			PS/rpm	81 / 2250		
51	Max. Torque / r.p.m.	N • m/rpm	269 / 2000			
		kgf • m/rpm	27.4 / 2000			
52	Number of Cylinders	mm		6		
		Displacement	lit	4.169		
		Alternator Output	12V-50Amp			
		Fuel Tank Capacity	lit	115		
55	Transmission	Type	Automatic Power Shift			
		Stage Fwd. - Rvs	2 - 1			
57	Operating Pressure	For Attachment	kg/cm ²	180		

NOTE : * Computed Values & subject to load condition

STANDARD SPECIFICATIONS

TCM		
FG40T9	FG45T9	FG50T9
4500	5000	5000
4000	4500	5000
Gasoline	Gasoline	Gasoline
Sit Down Rider Type	Sit Down Rider Type	Sit Down Rider Type
Pneumatic	Pneumatic	Pneumatic
2 x / 2	2 x / 2	2 x / 2
3000	3000	3000
150	155	160
1070 x 150 x 50	1070 x 150 x 55	1220 x 150 x 60
1290 / 300	1290 / 300	1290 / 300
6 / 12	6 / 12	6 / 12
3110	3190	3390
1480	1480	1480
2230	2235	2360
4265	4265	4420
2250	2250	2250
2815	2860	3035
560	590	590
550	600	600
4775	4850	5045
26.0 / 19.5	26.0 / 19.5	26.0 / 19.5
500	390	390
540	500	500
500	450	450
550	500	500
31.4 / 17.6	31.4 / 18.6	31.4 / 18.6
25	25	25
20	20	20
6420	6940	7240
9120	10130	10980
1300	1310	1260
2800	2960	3280
3620	3980	3960
2 / 2	2 / 2	2 / 2
3.00-15-18PR (I)	3.00-15-18PR (I)	3.00-15-18PR (I)
7.00-12-12PR (I)	7.00-12-12PR (I)	7.00-12-12PR (I)
2000	2000	2200
1180	1180	1180
1195	1195	1195
1220	1215	1370
1020	1020	1020
1320	1320	1320
320	320	320
845	845	845
155	140	140
185	185	185
Hydraulic - Foot pedal	Hydraulic - Foot pedal	Hydraulic - Foot pedal
Mechanical - Hand lever	Mechanical - Hand lever	Mechanical - Hand lever
12 / 64	12 / 64	12 / 64
NISSAN / TB42	NISSAN / TB42	NISSAN / TB42
59.6 / 2250	59.6 / 2250	59.6 / 2250
81 / 2250	81 / 2250	81 / 2250
269 / 2000	269 / 2000	269 / 2000
27.4 / 2000	27.4 / 2000	27.4 / 2000
6	6	6
4.169	4.169	4.169
12V-50Amp	12V-50Amp	12V-50Amp
115	115	115
Automatic Power Shift	Automatic Power Shift	Automatic Power Shift
2 - 1	2 - 1	2 - 1
180	180	180

LOAD CHART



NOTE :
 Capacity shown is computed with upright in vertical position. Load center are determined front face of forks. Capacities are based on a 1000mm or 48in cube load configuration with the center of gravity (C.G.) at the true center of the cube, and standard forks.
 Truck capacities with upright in forward tilt position will be less. Long forks, and unusually wide or tall loads may also reduce capacity.
 Contact TCM representative for capacity information on irregular loads. Specific capacities are shown on truck nameplates.
 TCM Industrial Trucks are equipped with certain safety devices as standard equipment.
 TCM will not assume any liability for injuries or damage arising from or caused by the removal of any safety devices from any of its products.

STANDARD EQUIPMENT AND ACCESSORIES

[Equipment]

- Adjustable ORS seat with belt
- Asbestos-free brake shoe material
- Centrifugal air cleaner
- Coolant recovery system
- Cylinder type bonnet latch with locking function
- Deluxe suspension seat with seat-belt
- Drawbar device
- Full hydraulic power steering
- Full transistorized ignition(FTI)
- Heavy duty overhead guard
- Hi-visibility,wide view mast(VM300)
- Hydraulic oil dipstick
- ITA Class III & IV carriage
- J-lug long life tires
- Lift circuit cut-off valve
- Load backrest
- Load check valve
- Overhead air intake system
- Power-assisted brake
- Retaining rollers
- Return hydraulic filter
- Suction hydraulic strainer
- Tilt lock valve
- Transmission oil dipstick
- Transmission oil filter
- Traveling interlock system
- 2-spool control valve with pressure relief
- 3-Way catalytic muffler(U.S.Production)

[Controls]

- Electric shift control lever
- Lift and tilt levers
- Multi-function switch lever(lighting and turn-signal) with self-cancelling mechanism
- Parking brake lever with interlock
- Tilt adjustable steering post

[Accessories]

- Access-assisted hand grip
- Back-up alarm buzzer
- Back-up lights
- Deluxe non-slip floor mat
- Documents clip
- Documents holder
- Electric horn
- Front combination lights(turn signal,clearance)
- Glove compartment/Pen holder
- Head lights traffic purposes
- High-mounted rear combination lights (tail,brake,back-up,turn signal and reflector)
- Operator tool kit
- Side view mirrors

[Instruments and Switch]

- Air cleaner clogging warning indicator
- Charge indicator
- Engine check indicator(U.S.Production)
- Engine oil pressure warning indicator
- Fuel gauge
- Hourmeter
- Neutral safety switch
- Water temperature gauge

OPTIONAL EQUIPMENT AND ACCESSORIES

[Equipment]

- Auxiliary hydraulic valve modules
- Central greasing system (CL)
- Color tire(white,green)(TUW·G)
- Engine air precleaner(CAKB)
- Exhaust purify catalytic muffler(EPM)
- Front dual drive wheels(DD/SDD)
- Heater(HR)
- Heater & defroster(steel cabin)(DEF)
- High profile overhead guard(2400mm)(HGH)
- Low profile overhead guard(2130mm)(HGL)
- LPG exclusive or dual fuel package(LPG·LPO)
- Overhead exhaust system(TUE)
- Plate fin radiator(RAD PF)
- Radiator dust screen(fine,medium mesh)(DSR)
- Semi-integral type power steering
- Solid tires (Unique cushion tires, SE)
- Steel cabin(SCB001)
- Windshield with wiper(AW071)

[Accessories]

- Custom paint-work
- Fire extinguisher(FE)
- Rear working light(RWL)
- Rotating warning light(Beacon)(RLY/RLR)
- Steering cylinder boots(PSB)
- Tilt cylinder boots(TLB)

[Instruments and Switch]

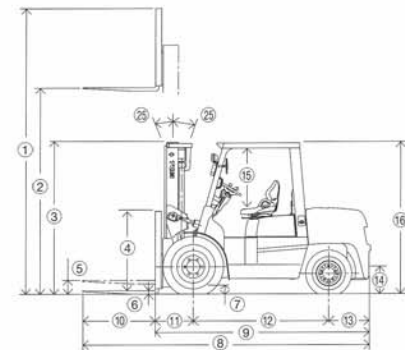
- Ammeter(AM)
- O.K.monitor(OKM) (battery electrolyte level,coolant level, parking brake,seat belt)
- Speedometer(SM)
- Torque converter oil pressure gauge(TPM)
- Torque converter oil temperature gauge(TTM)

OPTIONAL LOADING ATTACHMENT

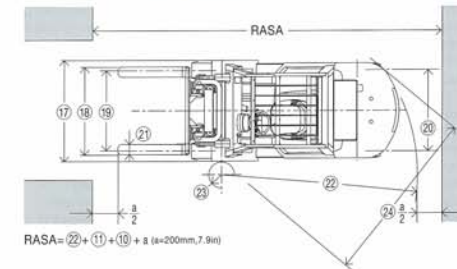
- Alternative fork lengths(LF)
- Bale clamp(LG)
- Fork extension sleeves(EF)
- Fork positioner hydraulic type(FS)
- Fork positioner manual type(FSM)
- High,wide type load backrest
- Hinged forks(HF),bucket(HFS)
- Ram(RA)
- Rotating forks hook-on(RF)
- Side shifter(SS)
- Wide type fork carriage(WF)
- Wide view full free 2-stage(VFM)mast
- Wide view full free 3-stage(VFHM)mast

Others on request

STANDARD DIMENSIONS



GROUND CLEARANCE	FG35T9 / FG40T9	FG45T9 / FG50T9
	mm	mm
Mast	155	140
Frame	185	185
Front axle	185	185
Rear axle	195	195
Counter weight	205	205



STANDARD DIMENSIONS

Model	FG35T9	FG40T9	FG45T9	FG50T9
	mm	mm	mm	mm
① Overall height, fork raised (with backrest)	4265	4265	4265	4420
② Maximum fork height	3000	3000	3000	3000
③ Mast height, fork lowered	2230	2230	2235	2360
④ Backrest height	1220	1220	1215	1370
⑤ Free lift	150	150	155	160
⑥ Fork thickness	50	50	55	60
⑦ Minimum ground clearance	155	155	140	140
⑧ Overall length (with forks)	4150	4180	4260	4610
⑨ Length to fork face	3080	3110	3190	3390
⑩ Fork length	1070	1070	1070	1220
⑪ Load distance	560	560	590	590
⑫ Wheelbase	2000	2000	2000	2200
⑬ Rear overhang	520	550	600	600
⑭ Drawbar Pin Center Height	320	320	320	320
⑮ Overhead guard clearance (from face of seat)	1020	1020	1020	1020
⑯ Overall height (overhead guard)	2250	2250	2250	2250
⑰ Overall width	1480	1480	1480	1480
⑱ Fork spread (outside)	300~1290	300~1290	300~1290	300~1290
⑲ Tread (front)	1180	1180	1180	1180
⑳ Tread (rear)	1195	1195	1195	1195
㉑ Fork width	150	150	150	150
㉒ Outside turning radius	2790	2815	2860	3035
㉓ Inside turning radius	200	200	200	200
㉔ Minimum intersecting aisle	2450	2450	2500	2600
㉕ Tilt angles (forward-backward)	6°- 12°	6°- 12°	6°- 12°	6°- 12°

DIMENSIONS WITH FRONT DUAL DRIVE WHEELS (option)

Model	FG35T9	FG40T9	FG45T9	FG50T9
	mm	mm	mm	mm
Tire size (front dual)	7.50-16-8PR	7.50-16-8PR	7.50-16-8PR	7.50-16-8PR
Service weight	+20kg	+20kg	+20kg	+20kg
⑰ Overall width	1830	1830	1830	1830
⑲ Tread (front)	1340	1340	1340	1340
㉒ Outside turning radius	2890	2910	2950	3120
㉓ Inside turning radius	200	200	200	200
㉔ Minimum intersecting aisle	2600	2600	2600	2750
Tire size (front dual)	8.25-15-14PR	8.25-15-14PR	-	-
Service weight	+80kg	+80kg	-	-
③ Mast height, fork lowered	2245	2245	-	-
⑰ Overall width	1950	1950	-	-
⑲ Tread (front)	1435	1435	-	-
㉒ Outside turning radius	2920	2950	-	-
㉓ Inside turning radius	200	200	-	-
㉔ Minimum intersecting aisle	2600	2650	-	-

● Meets the following major industrial standard and code:
 ISO 1074 Counter balanced lift trucks, stability & safety tests
 ISO 3691 Powered industrial trucks - safety code
 ISO/DIS 3691 Travel & loading interlock
 ISO 6292 Powered industrial trucks brake performance and component strength
 ISO 6055 Overhead guard
 JIS D6001 Powered industrial trucks - safety code
 JIS D6011 Industrial trucks, stability & safety tests
 JIS D6021 Overhead guard
 JIS D6023 Industrial trucks brake performance & safety tests

● ANSI/ASME B56.1 Safety standard for low and high lift trucks(for EXA configuration)
 ● In conformity with provision of the Machinery directive 88/37/EC, as amended, and with national implementing legislation.(for EXE/EXN configuration)
 ● Insurance classifications
 Underwriter's Laboratories requirement as to fire hazard only for G, LP in North America.(for EXA configuration)